

ISO/IEC 11801-1

Edition 1.0 2017-11

**INFORMATION TECHNOLOGY –
GENERIC CABLING FOR CUSTOMER PREMISES**

Part 1: General requirements

CORRIGENDUM 1

Foreword

Replace, in list item d), “Category BCT-B, 8.1, and 8.2;” with “Categories BCT-B, 8.1 and 8.2;”.

Replace list item f) with the following new list item:

f) addition of cabled optical fibre Categories OS1a and OM5;

Replace, in list item g), “silica optical fibre cabling;” with “optical fibre classes;”

Replace list item h) with the following new list item:

h) cabled optical fibre Categories OM1, OM2 and OS1 have been moved to an informative annex.

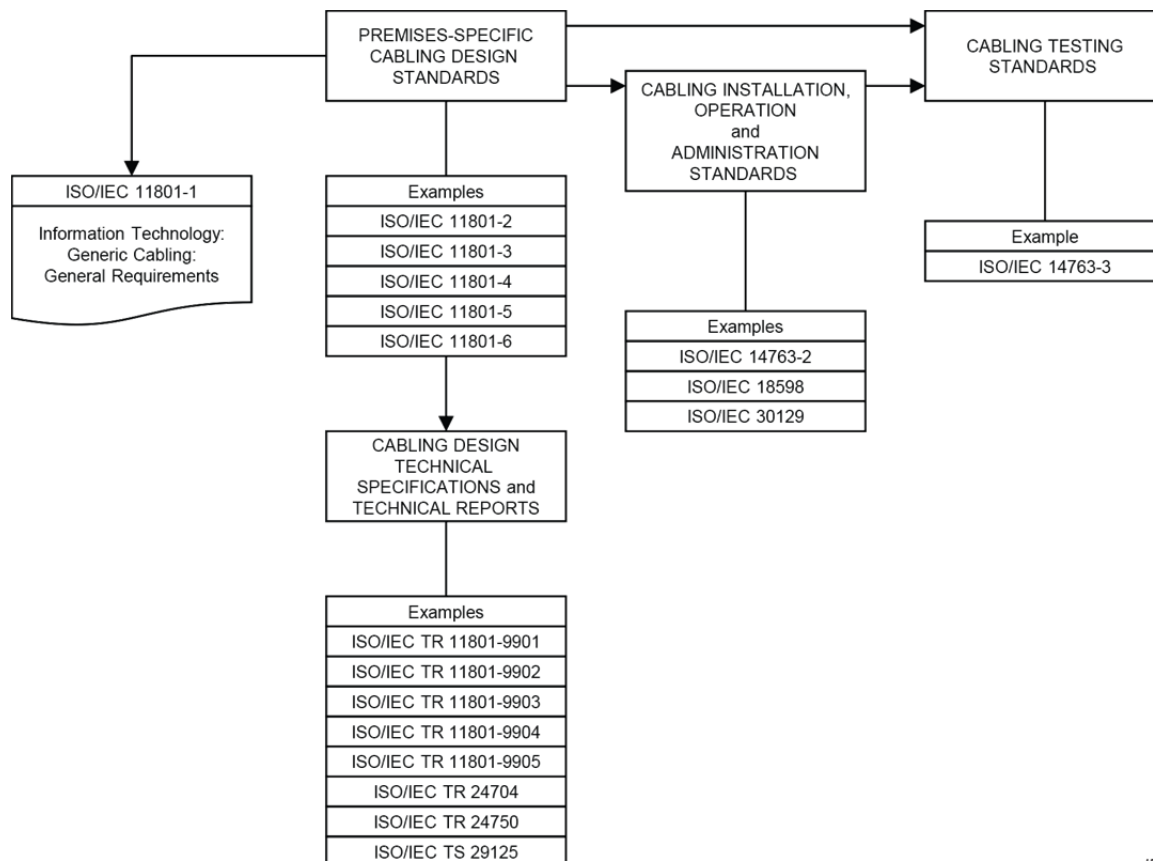
Introduction

Replace the first paragraph with the following new paragraph:

This document contains general requirements in support of the other premises-specific referenced cabling design documents developed by ISO/IEC JTC 1/SC 25 including ISO/IEC 11801-2, ISO/IEC 11801-3, ISO/IEC 11801-4, ISO/IEC 11801-5, ISO/IEC 11801-6, related Technical Specifications and Technical Reports (including the ISO/IEC TR 11801-99xx series, ISO/IEC TR 24704, ISO/IEC TR 24750 and ISO/IEC TS 29125).

Figure 1 – Relationships between the generic cabling documents produced by ISO/IEC JTC 1/SC 25

Replace the figure graphic with the following new figure graphic:



IEC

3.1 Terms and definitions

In 3.1.26, delete “end-to-end” from the definition.

Delete the entire entry 3.1.32.

3.2 Abbreviations

Insert the following abbreviation:

☐ connection

Replace:

FEXT far-end crosstalk attenuation (loss)

with:

FEXT far-end crosstalk (loss)

Replace:

NEXT near-end crosstalk attenuation (loss)

with:

NEXT near-end crosstalk (loss)

3.3.1 Variables

Delete the following line:

☐ connection

3.3.2 Indices

Delete the following line:

TO index to denominate a characteristic, measured from the TO

5.1 Functional elements

After the sentence “Groups of these functional elements are connected together to form cabling subsystems.”, insert the following new note:

NOTE The numbering of the cabling subsystems does not imply a hierarchy.

Figure 5 – Equipment and test interfaces

Replace the figure graphic with the following new figure graphic:

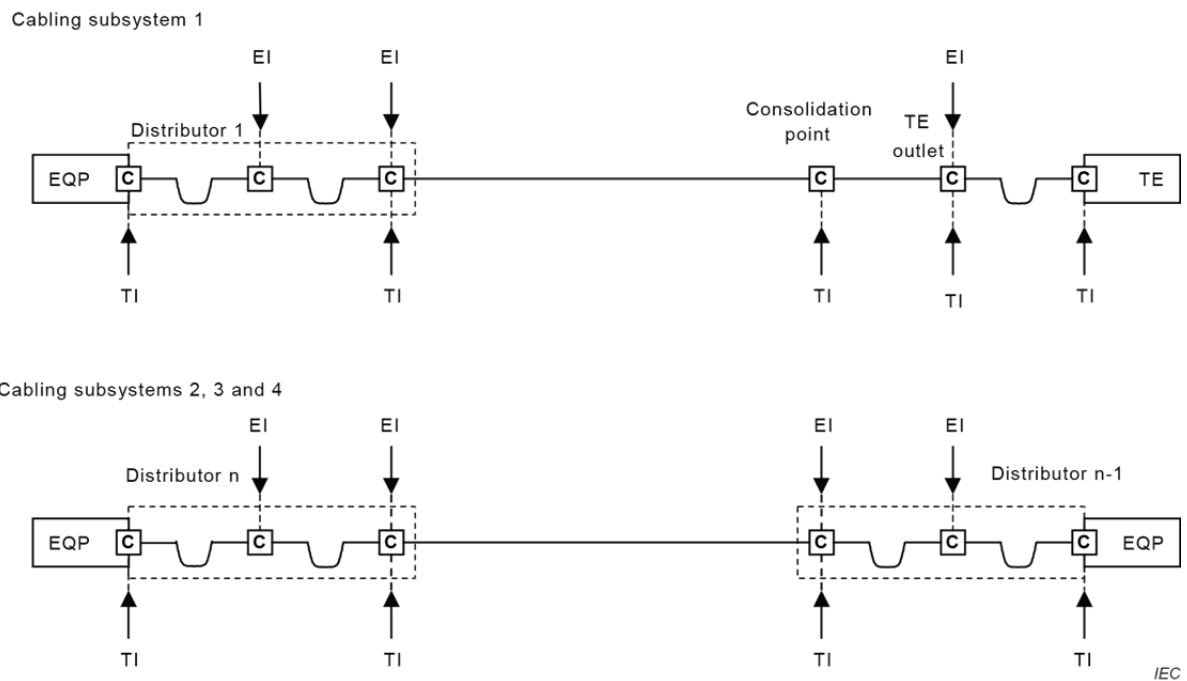


Table 2 – Details of environmental classification

In row 20, insert “g/m³” after each numerical value in columns 2, 3 and 4, as follows: